

# Multi-Octave Band Directional Couplers For Communication

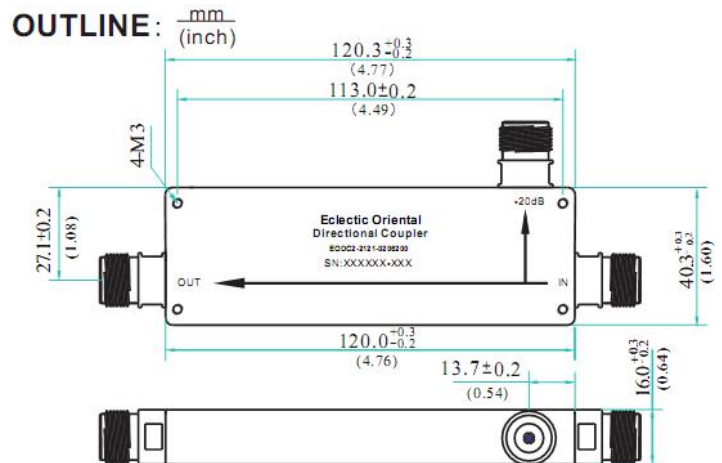
P/N: DOC002A00XA0

## 【Features】

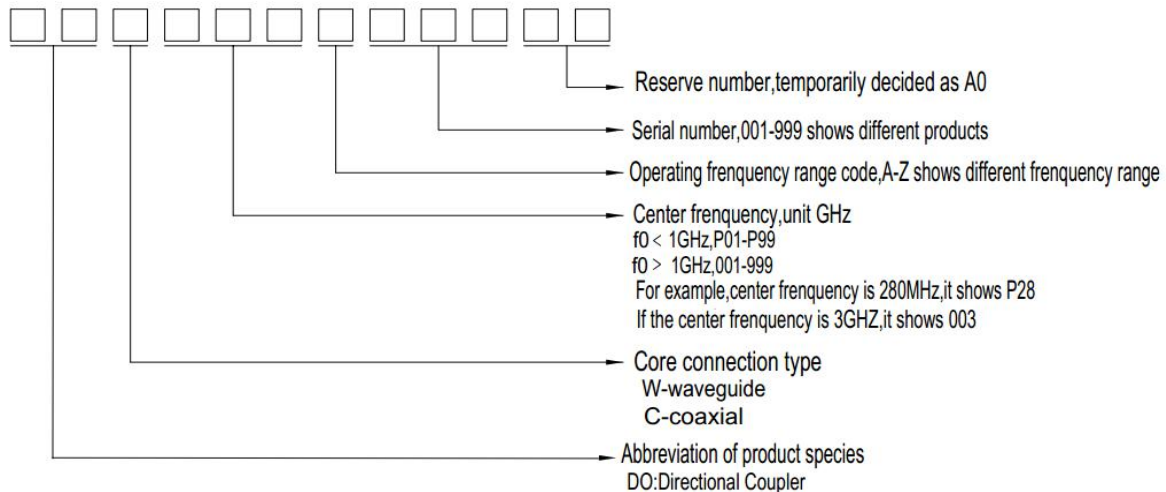
- ❖ N-Female connector
- ❖ Adopting Slab Line Structure for Circuit
- ❖ Low Insertion Loss
- ❖ High Directivity
- ❖ High Power Handling
- ❖ Broadband
- ❖ Inner Termination

## 【Specifications】

Model No.	DOC002A00XA0
Frequency Range	0.8-2.5GHz
Insertion Loss	0.3dB
Coupling	20±1.0dB
VSWR	1.25
Directivity	20dB
Frequency Sensitivity	±0.7dB
Connector	N-F
Power Handling	200W
Operating Temp.	-20~+70℃



## 【Model Number Description】





Model NO.	Frequency Range ( GHz )	Insertion Loss ( dB )	Coupling ( dB )	VSWR	Directivity ( dB )	Frequency Sensitivity ( dB )	Connector	Power Handling ( W )	Working Temperature ( °C )
DOC001B001A0	0.5-2.0	0.5dB	10±1	1.25	20	±0.7	N-F	60	-20~+70
DOC001B002A0	0.5-2.0	0.5	20±1	1.25	20	±0.7	N-F	60	-20~+70
DOC001B003A0	0.5-2.0	0.4	30±1	1.25	20	±0.7	N-F	60	-20~+70
DOC002B001A0	0.8-2.5	0.5	5±0.5	1.25	20	±0.7	N-F	60	-20~+70
DOC002B002A0	0.8-2.5	0.5	6±0.5	1.25	20	±0.7	N-F	60	-20~+70
DOC002B003A0	0.8-2.5	0.5	7±0.5	1.25	20	±0.7	N-F	60	-20~+70
DOC002B004A0	0.8-2.5	0.5	10±0.8	1.25	20	±0.7	N-F	60	-20~+70
DOC002B005A0	0.8-2.5	0.5	15±1.0	1.25	20	±0.7	N-F	60	-20~+70
DOC002B006A0	0.8-2.5	0.4	20±1.0	1.25	20	±0.7	N-F	60	-20~+70
DOC002B007A0	0.8-2.5	0.4	30±1.0	1.25	20	±0.7	N-F	60	-20~+70
DOC002B008A0	0.8-2.5	0.4	5±0.5	1.25	20	±0.5	N-F	200	-20~+70
DOC002B009A0	0.8-2.5	0.4	6±0.5	1.25	20	±0.5	N-F	200	-20~+70
DOC002B010A0	0.8-2.5	0.4	7±0.5	1.25	20	±0.5	N-F	200	-20~+70
DOC002B011A0	0.8-2.5	0.4	10±0.8	1.25	20	±0.7	N-F	200	-20~+70
DOC002B012A0	0.8-2.5	0.3	15±1.0	1.25	20	±0.7	N-F	200	-20~+70
DOC002B013A0	0.8-2.5	0.3	20±1.0	1.25	20	±0.7	N-F	200	-20~+70
DOC002B014A0	0.8-2.5	0.3	30±1.0	1.25	20	±0.7	N-F	200	-20~+70
DOC002C001A0	0.8-3.5	0.4	5±0.5	1.25	20	±0.5	N-F	200	-20~+70
DOC002C002A0	0.8-3.5	0.4	6±0.5	1.25	20	±0.5	N-F	200	-20~+70
DOC002C003A0	0.8-3.5	0.4	7±0.5	1.25	20	±0.5	N-F	200	-20~+70
DOC002C004A0	0.8-3.5	0.4	10±0.8	1.25	20	±0.7	N-F	200	-20~+70
DOC002C005A0	0.8-3.5	0.3	15±0.8	1.25	20	±0.7	N-F	200	-20~+70
DOC002C006A0	0.8-3.5	0.3	20±1.0	1.25	20	±0.7	N-F	200	-20~+70
DOC002C007A0	0.8-3.5	0.3	30±1.0	1.25	20	±0.7	N-F	200	-20~+70
DOC002D001A0	0.8-4.0	0.5	5±0.5	1.3	20	±0.7	N-F	200	-20~+70
DOC002D002A0	0.8-4.0	0.5	6±0.5	1.3	20	±0.7	N-F	200	-20~+70
DOC002D003A0	0.8-4.0	0.5	7±0.5	1.3	20	±0.7	N-F	200	-20~+70
DOC002D004A0	0.8-4.0	0.5	10±1.0	1.3	20	±0.7	N-F	200	-20~+70



Model NO.	Frequency Range ( GHz )	Insertion Loss ( dB )	Coupling ( dB )	VSWR	Directivity ( dB )	Frequency Sensitivity ( dB )	Connector	Power Handling ( W )	Working Temperature ( °C )
DOC002D005A0	0.8-4.0	0.5	15±1.0	1.3	20	±0.7	N-F	200	-20~+70
DOC002D006A0	0.8-4.0	0.5	20±1.0	1.3	18	±0.7	N-F	200	-20~+70
DOC002D007A0	0.8-4.0	0.5	30±1.0	1.3	18	±0.7	N-F	200	-20~+70
DOC001A005A0	2.0-8.0	0.6	10±1.0	1.3	20	±0.7	N-F	200	-20~+70
DOC001A006A0	2.0-8.0	0.6	20±1.0	1.3	18	±0.7	N-F	200	-20~+70
DOC001A007A0	2.0-8.0	0.6	30±1.0	1.3	18	±0.7	N-F	200	-20~+70

- Note:1, All the above are technical indexes at normal temperature.  
2, Above devices can be dedicated to the design according to customers' needs.  
3, If you have other requirements or the table does not list of technical parameters ,please contact us.