

I-Duplexer

P/N: EDW026A001A0

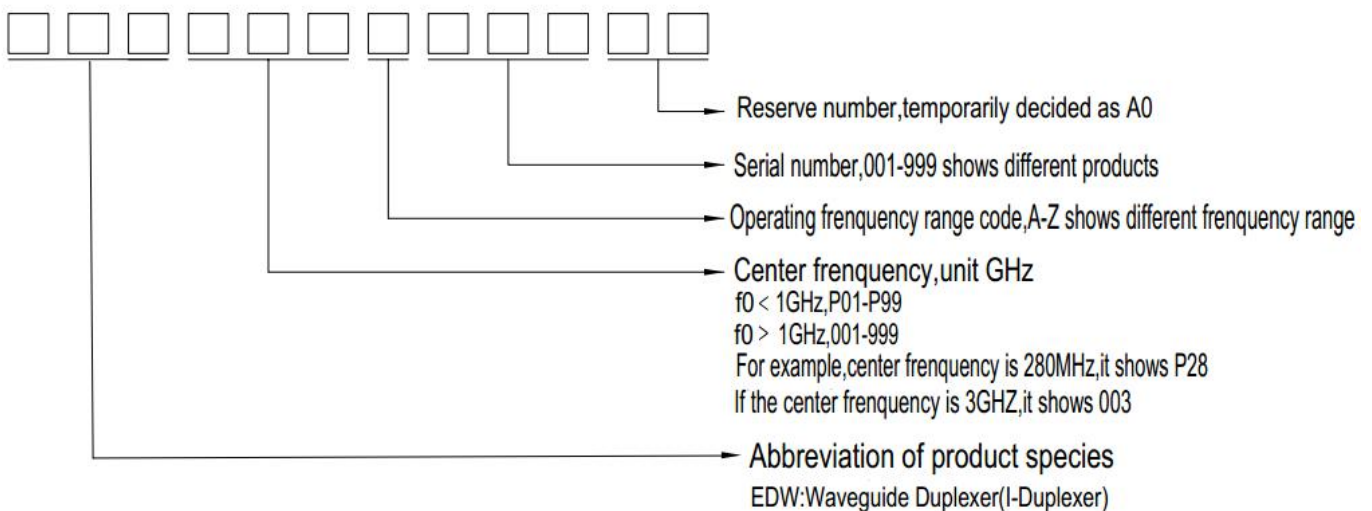
【Features】

- ❖ Compact and Structure
- ❖ Wide Frequency bandwidth
- ❖ High Isolation
- ❖ Low Insertion Loss
- ❖ High stability when temperature changes.

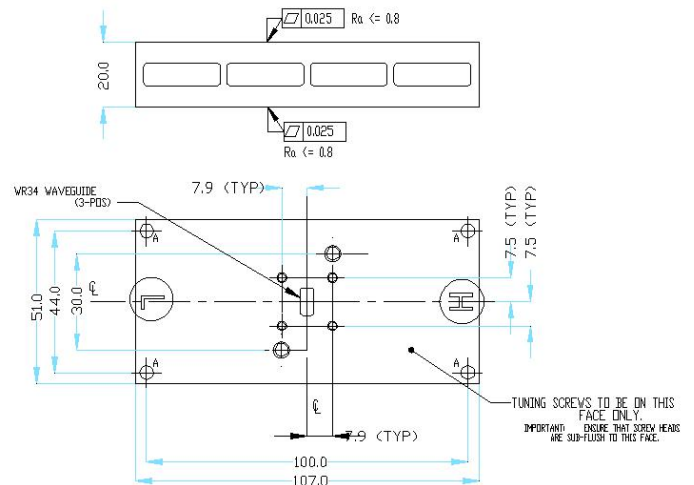
【Specifications】

Model No.	EDW026A001A0
Tx Center Frequency	24.829 GHz
Rx Center Frequency	25.837 GHz
Insertion Loss	1.2
Return Loss	20dB(- 20~ + 85°C)
Isolation	20dB(- 20~ + 85°C)
1dB bandwidth	> +/-280MHz
Power	+35dBm
Waveguide	WR34 all ports
Operating Temp.	- 40~ + 85°C

【Model Number Description】



OUTLINE:





Model No.	Frequency Range (GHz)	Band	Insertion Loss (dB)	Isolation (dB)	Return Loss (dB)	Operating Temp (°C)	Interface	
							ANT	TX/RX
EDW006A00XA0	6.425-7.125	6G	1.5	20	18	-40~+70	WR137	SMA/WR137
EDW007A00XA0	7.125-7.900	7G	1.5	20	18	-40~+70	WR112	SMA/WR112
EDW008A00XA0	7.700-8.500	8G	1.5	20	18	-40~+70	WR112	SMA/WR112
EDW011A00XA0	10.70-11.70	11G	1.5	20	18	-40~+70	WR90	SMA/WR90
EDW013A00XA0	12.75-13.25	13G	1.5	20	18	-40~+70	WR62	SMA/WR62
EDW015A00XA0	14.40-15.35	15G	1.5	20	18	-40~+70	WR62	SMA/WR62
EDW010A00XA0	10.05-10.75	10G	1.2	20	20	-40~+85	WR75	WR75
EDW018A00XA0	17.70-19.70	18G	1.5	20	18	-40~+70	WR42	WR42
EDW023A00XA0	21.20-23.60	23G	1.5	20	18	-40~+70	WR42	WR42
EDW026A00XA0	24.50-29.50	26G	1.2	20	20	-40~+85	WR34	WR34
EDW027A00XA0	25.325-28.348	27G	1.2	20	20	-40~+85	WR34	WR34
EDW028A00XA0	27.50-29.50	28G	1.2	20	20	-40~+85	WR34	WR34
EDW032A00XA0	31.80-33.40	32G	1.5	20	18	-40~+70	WR28	WR28
EDW038A00XA0	37.00-39.50	38G	1.5	20	18	-40~+70	WR28	WR28

Note:1, All the above are technical indexes at normal temperature.

2, Above devices can be dedicated to the design according to customers' needs.

3, It mainly is used for EW, radar, measuring and testing fields, combining power, antenna and feed network, splitting orthogonal power.