

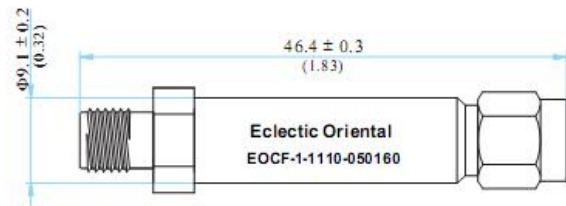
Coaxial Low Pass Filters

P/N: EFC005A00XA0

【Features】

- ❖ Compact Size
- ❖ Broad Band
- ❖ Low Insertion Loss
- ❖ Wide temperature stability
- ❖ Relatively Wider Stop Band
- ❖ Going With SMA-Male and Female Connector

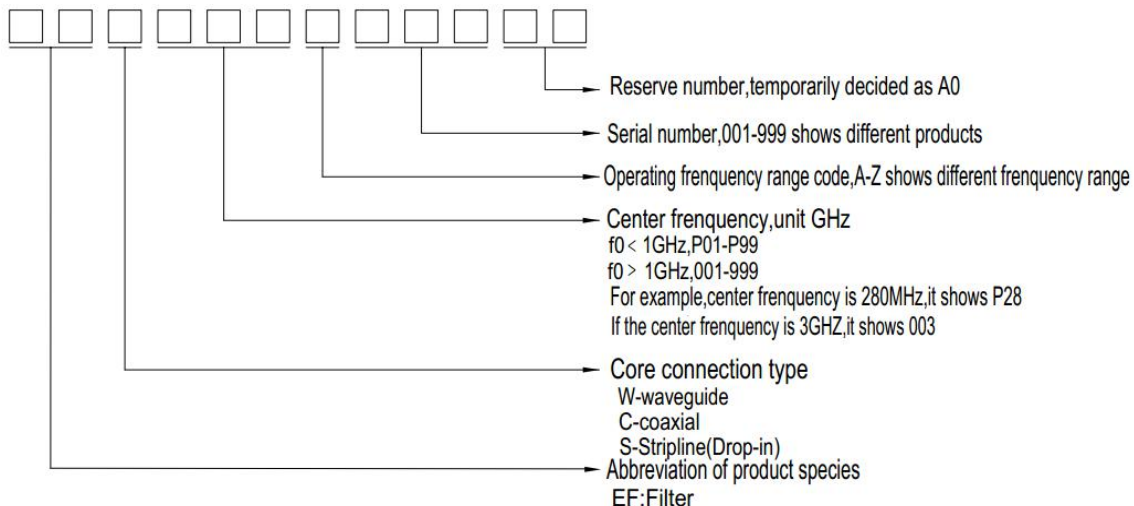
OUTLINE: $\frac{\text{mm}}{\text{(inch)}}$



【Specifications】

Model No.	EFC005A00XA0
Pass Band	DC-9 GHz
Insertion Loss	0.4
VSWR	1.25
Stop Band	18 GHz
Stop Band Attenuation	60dB
Power Handling	60W
Connector	SMA-F/M
Operating Temp.	- 55~ + 85°C

【Model Number Description】





Model No.	Pass Band (GHz)	Connector	Insertion Loss (dB)	VSWR	Stop Band (GHz)	Stop Band Attenuation (dB)	Power Handling (W)	Working Temperature (°C)
EFC003A002A0	DC-5	SMA-F/M	0.4	1.25	10	60	60	-55~+85
EFC003B002A0	DC-6	SMA-F/M	0.4	1.25	12	60	60	-55~+85
EFC004A002A0	DC-7	SMA-F/M	0.4	1.25	14	60	60	-55~+85
EFC004B002A0	DC-8	SMA-F/M	0.4	1.25	16	60	60	-55~+85
EFC005A002A0	DC-9	SMA-F/M	0.4	1.25	18	60	60	-55~+85
EFC005B002A0	DC-10	SMA-F/M	0.4	1.25	20	60	60	-55~+85
EFC006A002A0	DC-11	SMA-F/M	0.4	1.25	22	60	60	-55~+85
EFC006B002A0	DC-12	SMA-F/M	0.4	1.25	24	60	60	-55~+85

Note:1, All the above are technical indexes at normal temperature.

2, Above devices can be dedicated to the design according to customers' needs.

3, If you have other requirements or the table does not list of technical parameters ,please contact us.