

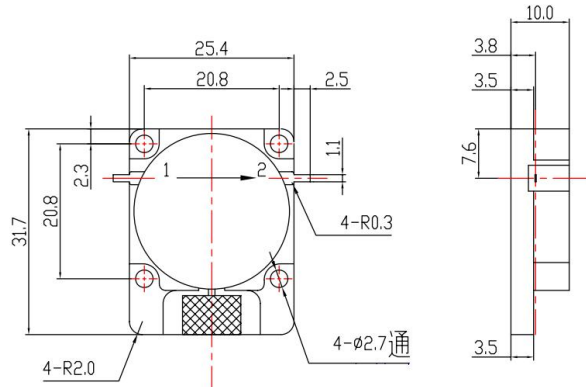
# Stripline Isolators

P/N: EIS002A003A0

## Outline Drawing

### 【Features】

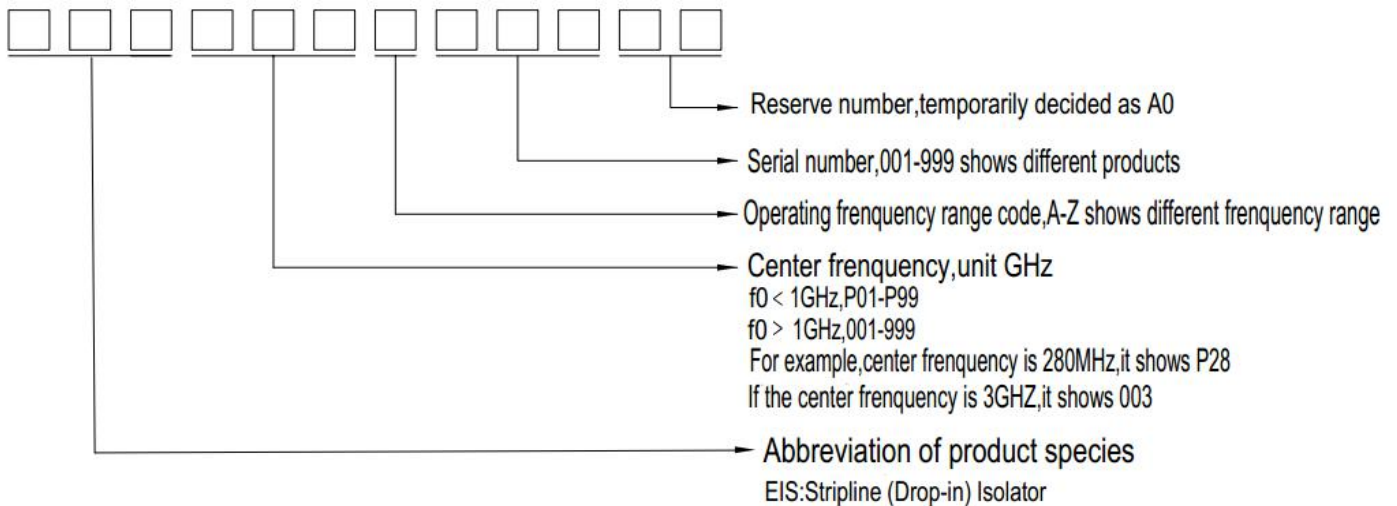
- ❖ Compact Size
- ❖ High isolation
- ❖ Low Insertion Loss
- ❖ Wide temperature stability
- ❖ Wide frequency bandwidth



### 【Specifications】

Model No.	EIS002A003A0
Connector Type	TAP
Frequency Range	1805-1880MHz
Insertion Loss	0.2 dB.
Isolation	25dB.
Return Loss	25dB
Power Handling	100W
Operating Temp.	- 40~ + 90℃

### 【Model Number Description】





Model No.	Connector Type	Frequency Range GHz	Band Width MHz	Insertion Loss dB.Max	Isolation dB.Min	VSWR Max	Operating Temp. °C	Size L*W*H mm
EISP23A00XA0	TAB	0.2-0.25	8	0.6	16	1.40	20~+60	50.5*64.5*15
EISP20A00XA0	TAB	0.15-0.25	8	0.6	16	1.40	20~+60	70*84*15
EISP45A00XA0	TAB	0.4-0.5	30	0.3	25	1.20	-15~+60	44*45.5*15.6
EISP45A00XA1	TAB	0.4-0.5	30	0.3	25	1.20	-15~+60	44*54*15.6
EISP45A00XA2	TAB	0.4-0.5	30	0.4	23	1.20	-15~+60	44*57.5*15.6
EISP44A001A0	TAB	0.375-0.5	full	0.8	16	1.40	-10~+60	42*52*9
EISP50A00XA0	TAB	0.4-0.6	10	0.3	25	1.20	-15~+60	35*38*14.7
EISP70A00XA0	TAB	0.6-0.8	30	0.3	25	1.20	-30~+70	35*38*14.7
EISP50A00XA1	TAB	0.4-0.6	10	0.3	25	1.20	-15~+60	35*46*12.5
EISP70A00XA1	TAB	0.6-0.8	30	0.3	25	1.20	-30~+70	35*46*12.5
EISP50A00XA2	TAB	0.4-0.6	10	0.3	25	1.20	-15~+60	35*50*12.5
EISP70A00XA2	TAB	0.6-0.8	30	0.3	25	1.20	-30~+70	35*50*12.5
EISP50A00XA3	TAB	0.4-0.6	30	0.4	23	1.20	-15~+60	35*38*13
EISP50A00XA4	TAB	0.4-0.6	30	0.4	23	1.20	-15~+60	35*46*13
EISP70A00XA3	TAB	0.8-1.2	25	0.35	23	1.20	-30~+70	20*20*8.6
EIS001A00XA0	TAB	0.8-1.2	70	0.3	25	1.20	-30~+70	30*33*12
			200	0.4	20	1.25		
EISP90A00XA0	TAB	0.8-1.0	25	0.3	23	1.20	-30~+70	25.4*31.7*6.8
			100	0.5	20	1.25		
EIS002A00XA0	TAB	1.7-2.2	70	0.3	23	1.20	-30~+70	25.4*31.7*6.8
EISP91A00XA0	TAB	0.824-1.0	25	0.3	23	1.20	-30~+70	19*25.4*7.5
EIS002B00XA0	TAB	0.95-2.5	70	0.3	25	1.20	-30~+70	25.4*28.5*12
			200	0.4	20	1.25		
EIS001B00XA0	TAB	0.8-1.4	25	0.3	25	1.20	-30~+70	25.4*25.4*12
EIS001C00XA0	TAB	1.0-1.4	200	0.4	20	1.20	-30~+70	25.4*25.4*12
EIS002C00XA0	TAB	1.4-2.4	70	0.3	25	1.20	-30~+70	25.4*25.4*12
			200	0.4	20	1.20		



Model No.	Connector Type	Frequency Range GHz	Band Width MHz	Insertion Loss dB.Max	Isolation dB.Min	VSWR Max	Operating Temp. °C	Size L*W*H mm
EIS002D001A0	TAB	1.605-1.625	full	0.4	20	1.20	-30~+70	15*16.5*6.6
EIS002E00XA0	TAB	1.5-2.0	70	0.3	23	1.20	-30~+70	20*20*9
EIS001D001A0	TAB	0.99-1.13	full	0.5	20	1.25	-30~+70	20*20*9.1
EIS002C00XA1	TAB	1.4-2.4	70	0.3	25	1.20	-30~+70	20*24.4*12
			200	0.4	20	1.25		
EIS002F00XA0	TAB	1.7-2.5	30	0.3	25	1.20	-30~+70	19*19*8.2
			100	0.3	23	1.20		
EIS002F00XA1	TAB	1.7-2.5	30	0.3	25	1.20	-30~+70	19*27*8.2
			100	0.3	23	1.20		
EIS002G00XA0	TAB	1.7-2.8	70	0.3	22	1.20	-30~+70	19*19*5.6
EIS002G00XA1	TAB	1.7-2.8	70	0.3	23	1.20	-30~+70	19*25.4*5.6
EIS002G00XA2	TAB	1.7-2.3	100	0.3	23	1.20	-40~+80	20*30*11.5
EIS002H001A0	TAB	2.2-2.3	full	0.5	20	1.25	-40~+80	10*22.5*9.8
EIS003A00XA0	TAB	2.2-2.8	100	0.4	20	1.20	-40~+80	15*16.5*9.1
EIS003B00XA0	TAB	2-3	200	0.3	25	1.20	-30~+70	20*30*11
			400	0.4	20	1.20		
EIS003C00XA0	TAB	2-3.5	200	0.3	25	1.20	-30~+70	25*30*11.5
			400	0.4	23	1.20		
EIS003C00XA1	TAB	2-3.5	200	0.3	25	1.20	-30~+70	18*25*10
EIS005A00XA0	TAB	3-6	300	0.3	23	1.20	-30~+70	19*19*7.7
			500	0.5	20	1.25		
EIS005A00XA1	TAB	3-6	300	0.3	23	1.20	-30~+70	19*27*7.7
			500	0.5	20	1.25		
EIS004A00XA0	TAB	3.1-3.5	full	0.4	18	1.30	-20~+90	12.7*12.7*6.4
EIS005B00XA0	TAB	3.5-6.5	300	0.3	25	1.20	-40~+75	16*26*10.5
			600	0.4	23	1.20		
EIS006A00XA0	TAB	4-7	300	0.3	25	1.20	-40~+75	15*25*6
			600	0.4	23	1.20		



Model No.	Connector Type	Frequency Range GHz	Band Width MHz	Insertion Loss dB.Max	Isolation dB.Min	VSWR Max	Operating Temp. °C	Size L*W*H mm
EIS006A00XA1	TAB	4-7	300	0.3	25	1.20	-40~+75	14*22*9.5
			600	0.4	23	1.20		
EIS006B00XA0	TAB	5-7	200	0.3	25	1.20	-40~+75	10*18*8
EIS006B00XA1	TAB	5-7	300	0.3	25	1.20	-40~+75	12*20*9.5
			600	0.4	23	1.20		
EIS007A00XA0	TAB	5-8	300	0.3	25	1.20	-40~+75	12*20*6
			600	0.4	23	1.20		
EIS006C00XA0	TAB	4.4-8	300	0.3	25	1.20	-40~+75	12.7*19*6
			600	0.4	20	1.20		
EIS013A00XA0	TAB	7-18	300	0.3	25	1.20	-40~+75	12*20*9.5
			1000	0.4	23	1.20		
EIS013A00XA1	TAB	7-18	300	0.3	25	1.20	-40~+75	8.9*15*7.8
			1000	0.4	23	1.20		
EIS013A00XA2	TAB	7-18	300	0.3	25	1.20	-40~+75	9*16*8
			1000	0.4	23	1.20		
EIS013B00XA0	TAB	8-18	300	0.3	23	1.20	-40~+75	8.9*13.5*7.8
			1000	0.4	20	1.20		
EIS012A001A0	TAB	10-13.3	full	0.5	20	1.25	-40~+75	7*19*5.7
EIS014A00XA0	TAB	9-18	100	0.4	23	1.20	-40~+75	6.5*12.7*6.8

Note: 1, X shows different product in model, A0, A1, A2 etc. are used to make a distinction between products with same frequency range.

2, Input/Output: Stripline      Finish:Nickle Plated(Default).

3, Above devices can be dedicated to the design according to customers' needs.

4, If you have other requirements or the table does not list of technical parameters ,please contact us.